

THOR TOWERSTACKER™
TELESCOPIC CABLE
MAST CONVEYOR




**MOVE
MOUNTAINS.**



THOR TOWERSTACKER™

TELESCOPIC CABLE
MAST CONVEYOR



THIS CABLE MAST DESIGN
ALLOWS YOU TO REACH SIZES
AND TONNAGES BEYOND ANY
CONVENTIONAL TELESCOPIC.

STANDARD FEATURES

- Belt scrapers (twin-edge) & tensioning System: **patented**
- Belt splice: vulcanized
- Cable slack & tension detection
- Contactors: IEC
- Electrical cable harness pulley: UHMW
- Emergency braking system
- Gear reducers: CLASS 2
- Hydraulic cylinders: single stage
- Idlers: CEMA C
- Idlers: PVC
- Inductive proximity sensors
- INOVUS Automation technology
- LES: **patented**
- Limit Switches: NEMA 4
- PLC: MicroLogix 1400
- Program: windrow auto mode
- Pulleys: mine duty
- Push button control
- Safety guarding
- Side guide rollers: UHMW
- Steel: 60,000 psi
- Stone box skirting (floating): UHMW
- Tail pulley access
- Tail pulley kicker bar
- Tail undercarriage hinge point
- Touch screen control
- Training: onsite
- Ultrasonic sensors
- Variable frequency drive

OPTIONAL FEATURES

- Colour: custom
- Contactors & starters: NEMA
- Dual drive
- Galvanizing: hot-dip
- Program package: zero segregation & max pile auto mode
- Receiving chute: custom
- Walkway
- Wire remote touch screen: dual
- Wire remote touch Screen: regular
- Wireless remote control

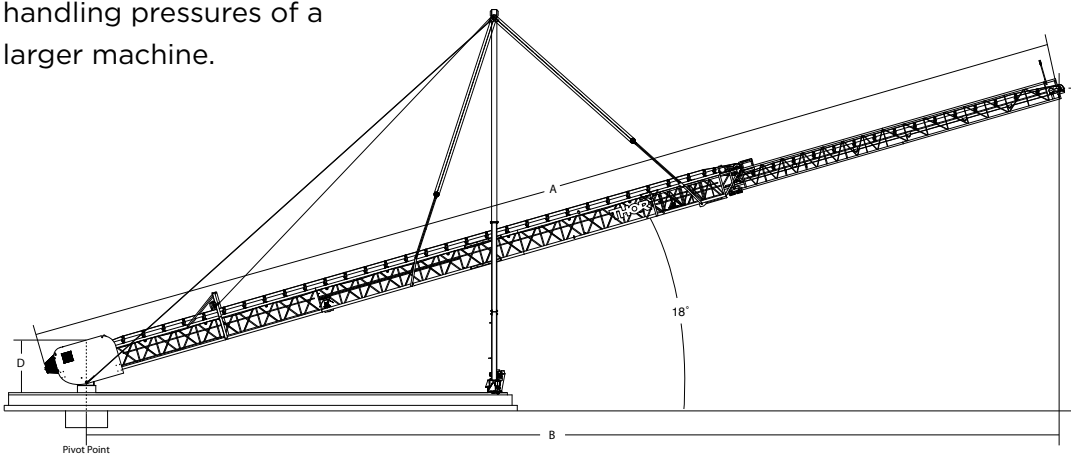
LES: PATENTED



SPECIALTY FEATURES

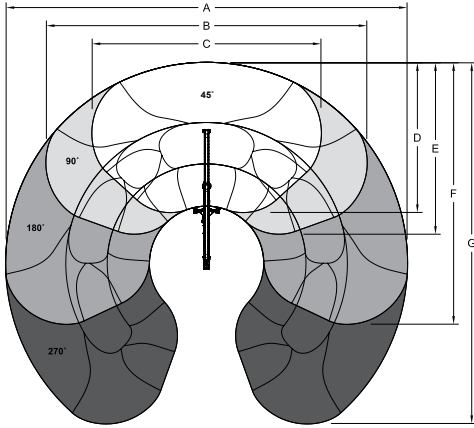
- Belt alignment sensor
- Belt covers: **patented**
- Belt scale: mechanical
- Belt scrapers: H/D - Martin
- Discharge spout: telescoping
- Safety pull chord
- Zero speed sensor

THOR GLOBAL HAS APPLIED TELESCOPIC TECHNOLOGY TO A TRADITIONAL CABLE MAST SYSTEM THAT HAS BEEN SUCCESSFUL IN STOCKPILING APPLICATIONS FOR DECADES. The ThorTowerStacker™ is a scalable product that has been engineered to perfection using a rail system configuration that is capable of handling pressures of a larger machine.



MODEL	BELT WIDTH	CAPACITY	A	B	C	D
TS200x36-0800	36in	800STPH	200ft	185ft - 3in	67ft - 0in	9ft
TS230x36-0800	36in	800STPH	230ft	213ft - 6in	76ft - 4in	9ft
TS250x36-0800	36in	800STPH	250ft	232ft - 8in	82ft - 6in	9ft
TS200x42-1200/1500	42in	1200 & 1500STPH	200ft	185ft - 3in	67ft - 0in	9ft
TS230x42-1200/1500	42in	1200 & 1500STPH	230ft	213ft - 6in	76ft - 4in	9ft
TS250x42-1200/1500	42in	1200 & 1500STPH	250ft	232ft - 8in	82ft - 6in	9ft
TS150x48-2000	48in	2000STPH	150ft	138ft - 11in	55ft - 6in	9ft
TS200x48-2000	48in	2000STPH	200ft	185ft - 3in	67ft - 0in	9ft
TS230x48-2000	48in	2000STPH	230ft	213ft - 6in	76ft - 4in	9ft
TS250x48-2000	48in	2000STPH	250ft	232ft - 8in	82ft - 6in	9ft
TS150x54-3000	54in	3000STPH	150ft	138ft - 11in	56ft - 6in	10ft
TS200x54-3000	54in	3000STPH	200ft	185ft - 3in	67ft - 0in	10ft

All sizes and dimensions are approximate and Thor Global reserves the right to make changes to their product at any time without notification.



KEY BENEFITS

- Enlarged structural design enables you to stockpile material in excess of 350,000 tons and 4000STPH.
- Conveyor can be lowered all the way to the ground to provide easy access for maintenance.
- No head or tail undercarriage provides greater clearance under the conveyor.

STOCKPILE SPECIFICATIONS:

MODEL	A	B	C	D	E	F	G
TS200x36-0800	426ft - 0in	355ft - 0in	260ft - 0in	153ft - 0in	184ft - 0in	184ft - 0in	392ft - 0in
TS200x36-0800	544ft - 0in	454ft - 0in	332ft - 0in	193ft - 0in	235ft - 0in	362ft - 0in	500ft - 0in
TS250x36-0800	626ft - 10in	523ft - 0in	382ft - 0in	221ft - 5in	270ft - 0in	417ft - 0in	576ft - 0in
TS200x42-1200/1500	680ft - 10in	568ft - 0in	415ft - 0in	238ft - 5in	294ft - 0in	452ft - 0in	626ft - 0in
TS230x42-1200/1500	626ft - 10in	523ft - 0in	382ft - 0in	221ft - 5in	270ft - 0in	417ft - 0in	576ft - 0in
TS250x42-1200/1500	680ft - 10in	568ft - 0in	415ft - 0in	238ft - 5in	294ft - 0in	452ft - 0in	626ft - 0in
TS150x48-2000	426ft - 0in	355ft - 0in	260ft - 0in	153ft - 0in	184ft - 0in	184ft - 0in	392ft - 0in
TS200x48-2000	544ft - 0in	454ft - 0in	454ft - 0in	193ft - 0in	235ft - 0in	362ft - 0in	500ft - 0in
TS230x48-2000	626ft - 10in	523ft - 0in	382ft - 0in	221ft - 5in	270ft - 0in	417ft - 0in	576ft - 0in
TS250x48-2000	680ft - 10in	568ft - 0in	415ft - 0in	238ft - 5in	294ft - 0in	452ft - 0in	626ft - 0in
TS150x54-3000	426ft - 0in	355ft - 0in	260ft - 0in	153ft - 0in	184ft - 0in	184ft - 0in	392ft - 0in
TS200x54-3000	544ft - 0in	454ft - 0in	332ft - 0in	193ft - 0in	235ft - 0in	362ft - 0in	500ft - 0in

STOCKPILE CAPACITIES:

MODEL	BELT WIDTH	45°	90°	180°	270°	FOR EACH ADDITIONAL 1°
TS200x36-0800	36in	1,335,000 ft ³ 66,750 tons	2,251,000 ft ³ 112,550 tons	4,084,000 ft ³ 204,200 tons	5,917,000 ft ³ 295,850 tons	19,500 ft ³ 975 tons
TS200x36-0800	36in	2,012,000 ft ³ 100,600 tons	3,380,000 ft ³ 169,000 tons	6,117,000 ft ³ 305,850 tons	8,854,000 ft ³ 442,700 tons	30,000 ft ³ 1,500 tons
TS250x36-0800	36in	2,566,000 ft ³ 128,300 tons	4,287,000 ft ³ 214,350 tons	7,749,000 ft ³ 387,450 tons	11,210,000 ft ³ 560,500 tons	38,000 ft ³ 1,900 tons
TS200x42-1200/1500	42in	1,335,000 ft ³ 66,750 tons	2,251,000 ft ³ 112,550 tons	4,084,000 ft ³ 204,200 tons	5,917,000 ft ³ 295,850 tons	19,500 ft ³ 975 tons
TS230x42-1200/1500	42in	2,012,000 ft ³ 100,600 tons	3,380,000 ft ³ 169,000 tons	6,117,000 ft ³ 305,850 tons	8,854,000 ft ³ 442,700 tons	30,000 ft ³ 1,500 tons
TS250x42-1200/1500	42in	2,566,000 ft ³ 128,300 tons	4,287,000 ft ³ 214,350 tons	7,749,000 ft ³ 387,450 tons	11,210,000 ft ³ 560,500 tons	38,000 ft ³ 1,900 tons
TS150x48-2000	48in	700,500 ft ³ 35,025 tons	1,087,000 ft ³ 54,350 tons	2,046,000 ft ³ 102,300 tons	3,006,000 ft ³ 150,300 tons	10,500 ft ³ 525 tons
TS200x48-2000	48in	1,335,000 ft ³ 66,750 tons	2,251,000 ft ³ 112,550 tons	4,084,000 ft ³ 204,200 tons	5,917,000 ft ³ 295,850 tons	19,500 ft ³ 975 tons
TS230x48-2000	48in	2,012,000 ft ³ 100,600 tons	3,380,000 ft ³ 169,000 tons	6,117,000 ft ³ 305,850 tons	8,854,000 ft ³ 442,700 tons	30,000 ft ³ 1,500 tons
TS250x48-2000	48in	2,566,000 ft ³ 128,300 tons	4,287,000 ft ³ 214,350 tons	7,749,000 ft ³ 387,450 tons	11,210,000 ft ³ 560,500 tons	38,000 ft ³ 1,900 tons
TS150x54-3000	54in	700,500 ft ³ 35,025 tons	1,087,000 ft ³ 54,350 tons	2,046,000 ft ³ 102,300 tons	3,006,000 ft ³ 150,300 tons	10,500 ft ³ 525 tons
TS200x54-3000	54in	1,308,000 ft ³ 65,400 tons	2,197,000 ft ³ 109,850 tons	3,975,000 ft ³ 198,750 tons	5,753,000 ft ³ 287,650 tons	19,500 ft ³ 975 tons

Actual capacity volumes may differ due to varying application conditions. Capacity calculations are based on 2000lbs/ton and 100lbs/ft³.